

GLAZING

TOOLS



Glazing hammer



Glazing spade



Glazing blocks



Glazing knife

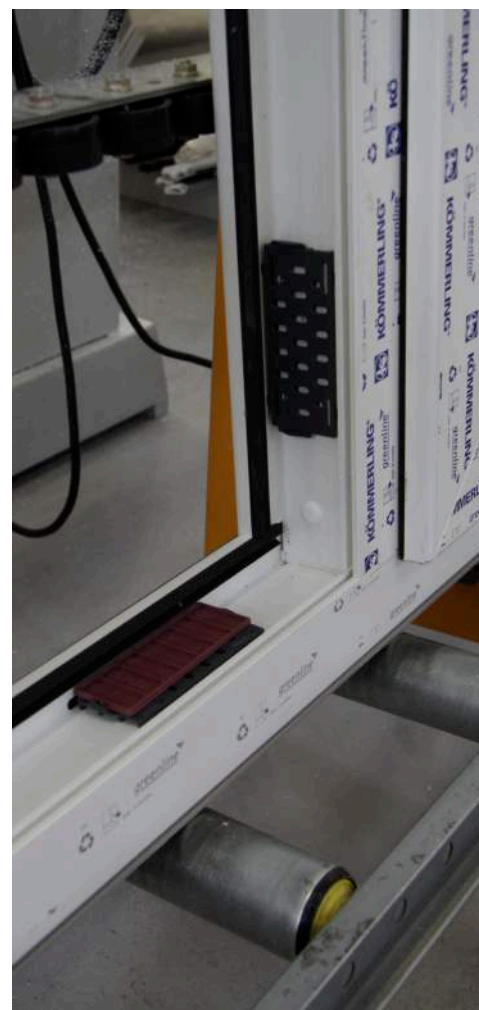
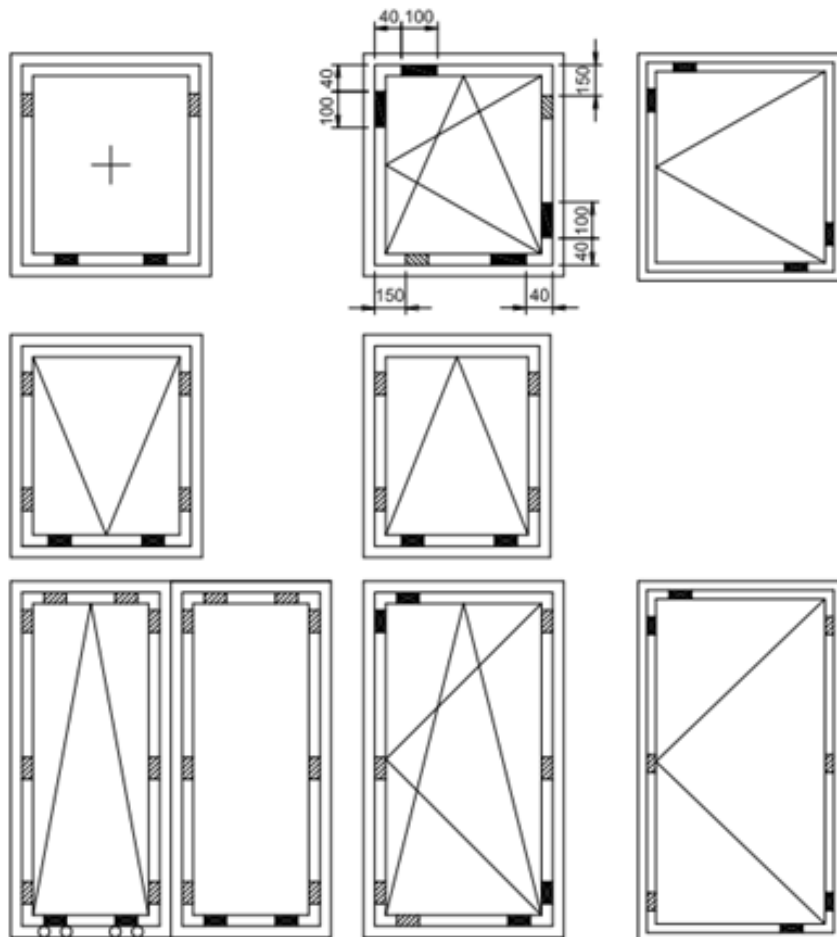


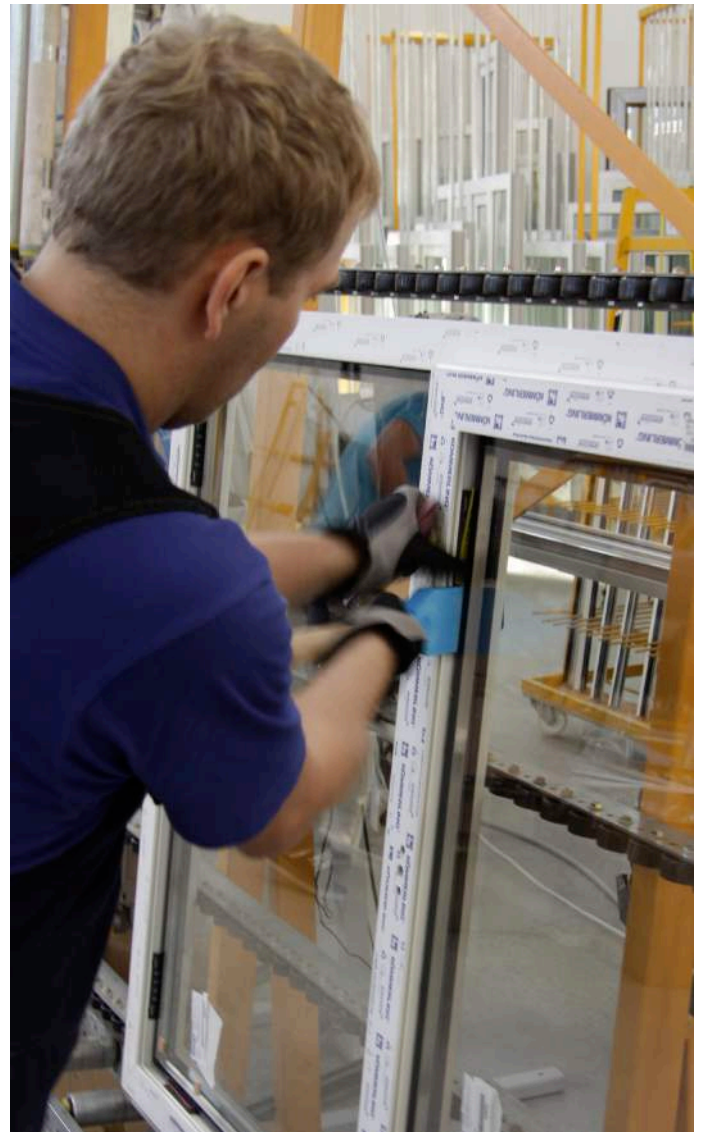
Suction pump

INSERT BLOCKS

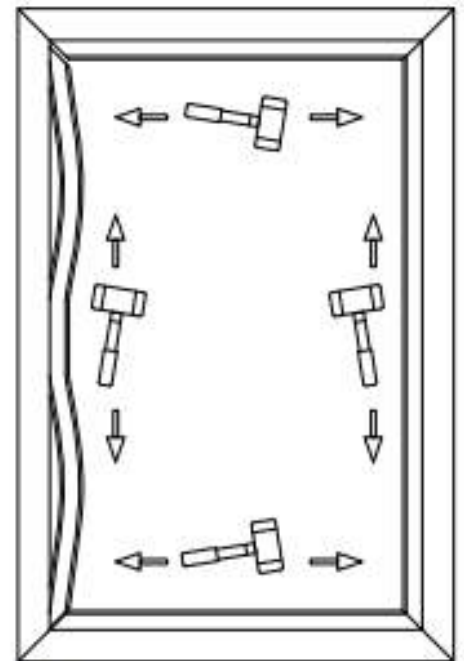


MODEL HOW TO PLACE GLAZING BLOCKS ON DIFFERENT PRODUCTS

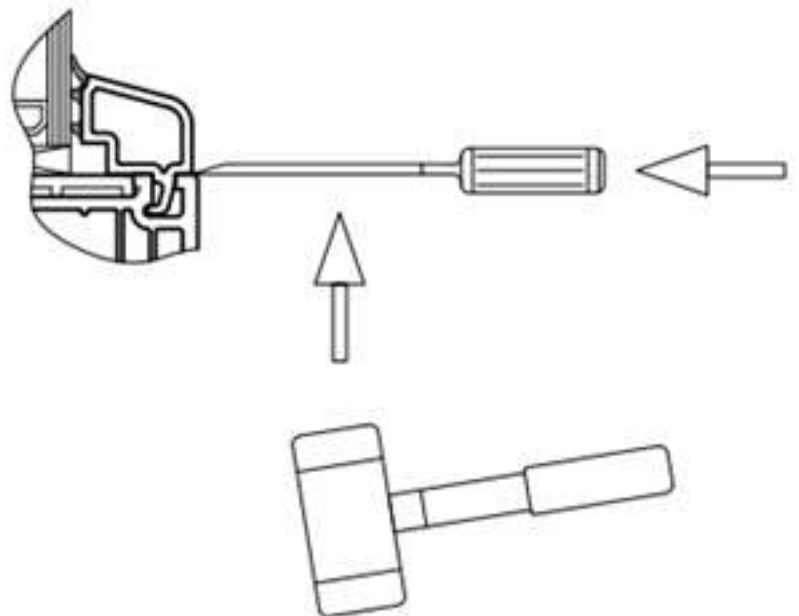
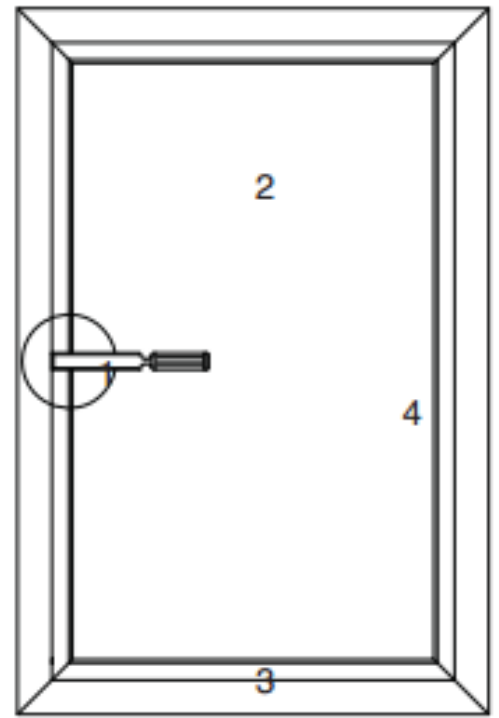




INSERT GLASS AND USE THE GLAZING BLADE AND BLOCKS TO FIXATE THE POSITIONING OF THE GLASS IN THE FRAME



USE THE GLAZING HAMMER TO ATTACH THE GLAZING SLAT (BEAD).



USE THE HAMMER AND GLAZING KNIFE TO REMOVE SLATS (BEADS).

**USE THE GLAZING
SPADE TO REMOVE
GLAZING BLOCKS.**



**USE THE SUCTION
PUMP TO REMOVE
THE GLASS FROM
THE FRAME.**

